



## Positioning Tables

NFM / NH2 - AL

## Slides

NE - AL

### **Latest version of the catalogs**

You can always find the latest version of our catalogs in the Download area of our website.

### **Disclaimer**

This publication has been compiled with great care and all information has been checked for accuracy. However, we can assume no liability for incorrect or incomplete information. We reserve the right to make changes to the information and technical data as a result of enhancements to our products. Reprinting or reproducing, even in part, is not permitted without our written consent.

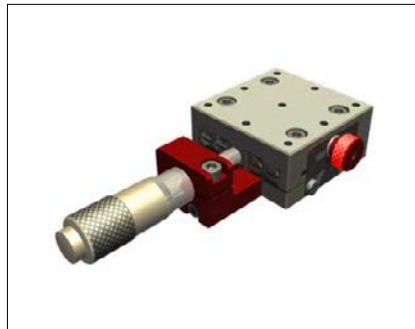


<b>1</b>	<b>Positioning Tables NH2</b>	<b>5</b>
1.1	Positioning Tables NH2	5
1.2	Options	5
1.3	Drawings	6 + 7
1.4	Dimension Tables	6 + 7
<b>2</b>	<b>Slides NE</b>	<b>9</b>
2.1	Slides NE	9
2.2	Drawings	10 + 11
2.3	Dimension Tables	10 + 11
<b>3</b>	<b>Positioning Tables NFM</b>	<b>13</b>
3.1	Positioning Tables NFM	13
3.2	Options	13
3.3	Drawings	14 + 15
3.4	Dimension Tables	14 + 15

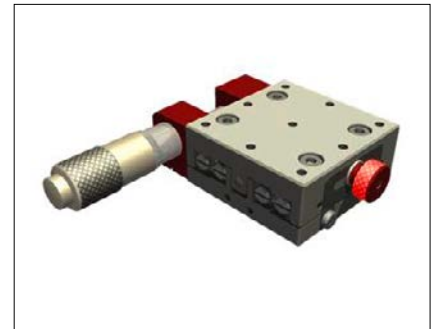


## 1.0 Positioning Tables NH2

### 1.1 Positioning Tables NH2-40/40-AL, NH2-65/65-AL, NH2-110/110-AL



Type ... - ML



Type ... - MS

Single axis stages with SCHNEEBERGER linear bearings Type R2-RF. Manual positioning with micrometer, reading accuracy 0.01mm. Table parts are lightly loaded onto the micrometer screw by a tension spring. Design is available with or without micrometer, with or without spring. Micrometer fastening on the side or front of the stage. Tables of the same size can easily be assembled into 2 axis configuration. Standard strokes 13/13 and 25/(40)mm. Special hole patterns or strokes on request. All designs with a clamping system on the side of the stage. Table parts in aluminium anodised. Linear bearings in corrosion resistant steel. Tables can be integrated in any plane (micrometer below stage in vertical orientation!).

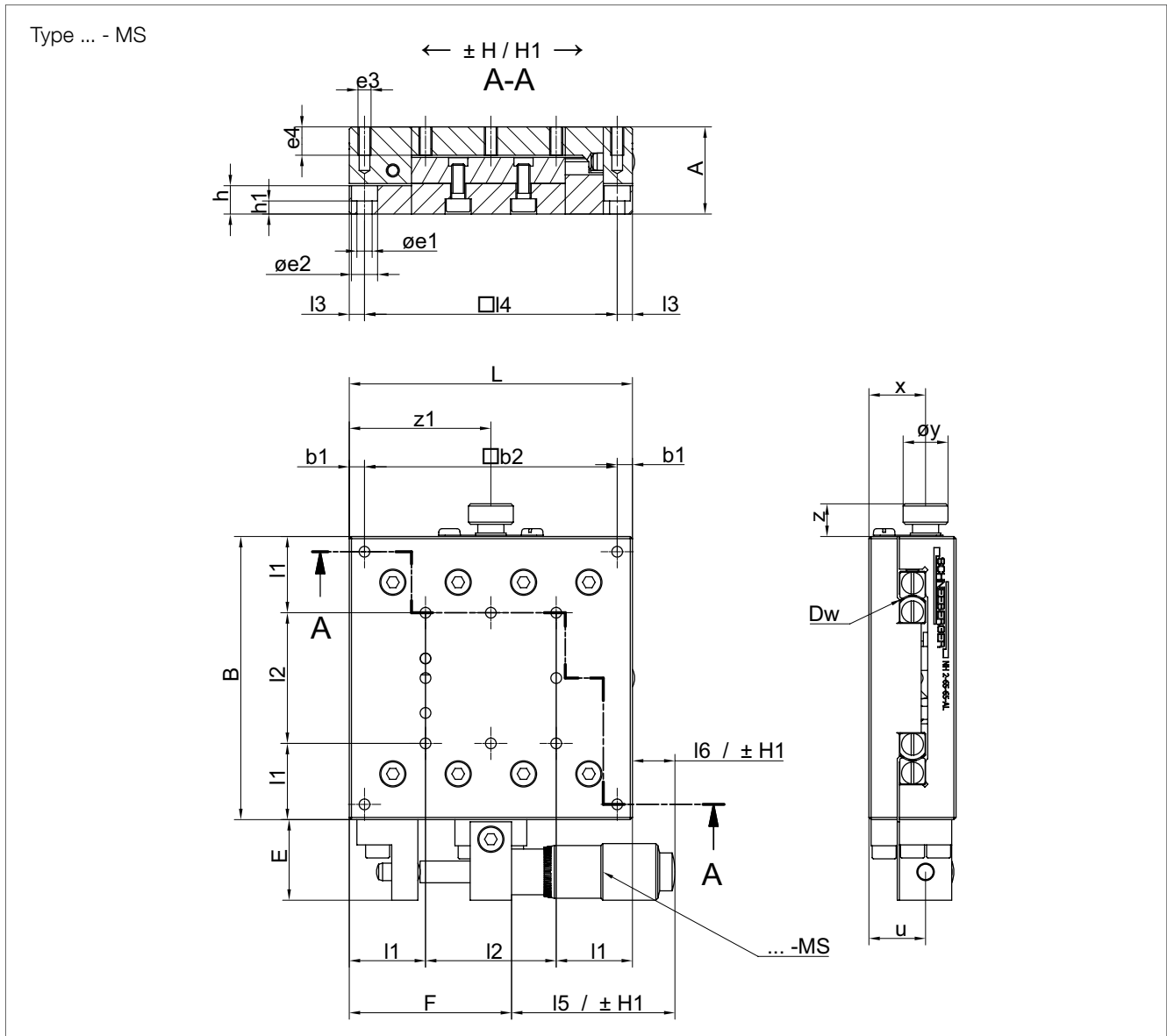
### 1.2 Options

- OF without tension spring
- MF with tension spring
- ML Micrometer front
- MS Micrometer side

Clamping standard right. Can be easily changed from right to the left side by the customer. (Except version MS)

# 1.0 Positioning Tables NH2 Technical data

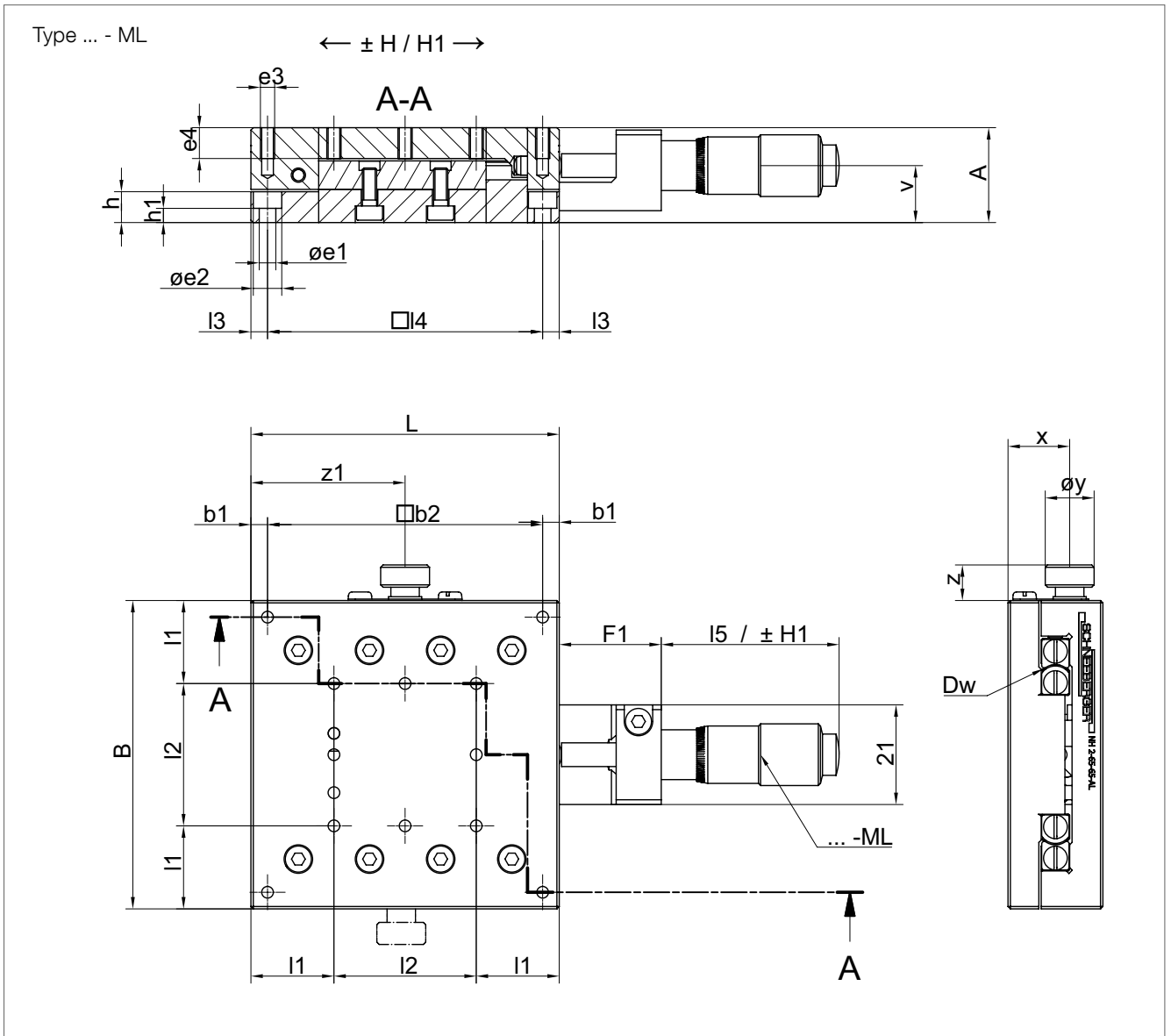
## 1.3 Drawings



## 1.4 Dimension Tables

Type	Dimensions (mm)																	
	A	B	H	H1	Dw	L	I1	I2	I3	I4	I5	I6	F	F1	b1	b2	h	h1
NH2-40/40-AL	19	40	± 6.5	± 6.5	R2	40	-	-	4	32	37.5	37.5	39.5	21.5	4	32	6	2.5
NH2-65/65-AL	20	65	± 6.5	± 6.5	R2	65	17.5	2x15	3.5	58	37.5	9.75	37.25	21.5	3.5	58	6.5	3
NH2-110/110-AL	25	110	± 20	± 20	R2	110	25	2x30	6	98	80.4	16.4	46	30.5	6	98	8	3.5

**1.0** Positioning Tables NH2 Technical data



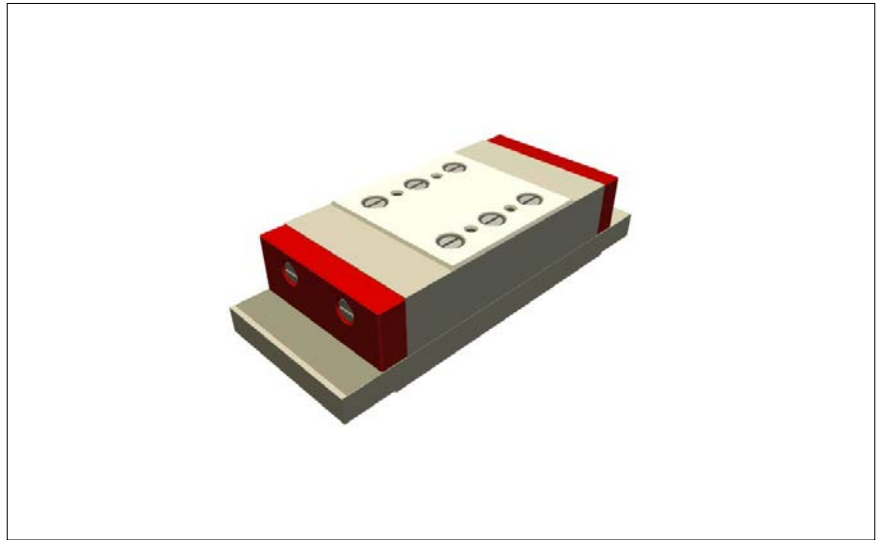
Type	Dimensions (mm)										Load capacity / Torque / Weight			
	e1	e2	e3	e4	u	v	x	y	z	z1	C (N)	ML (Nm)	MQ (Nm)	Weight (kg)
NH2-40/40-AL	3.5	6	M3	6	11	10	13	10.3	7.5	20	425	2.7	3.9	0.2
NH2-65/65-AL	3.5	6	M3	6	13	12	13	10.3	7.5	32.5	850	7.5	13.5	0.4
NH2-110/110-AL	4.5	7.5	M4	8	15	13	16	15.3	9.8	55	1420	12.9	43.5	1.7





## 2.0 Slides NE

### 2.1 Slides NE 1, 2, 3 - AL

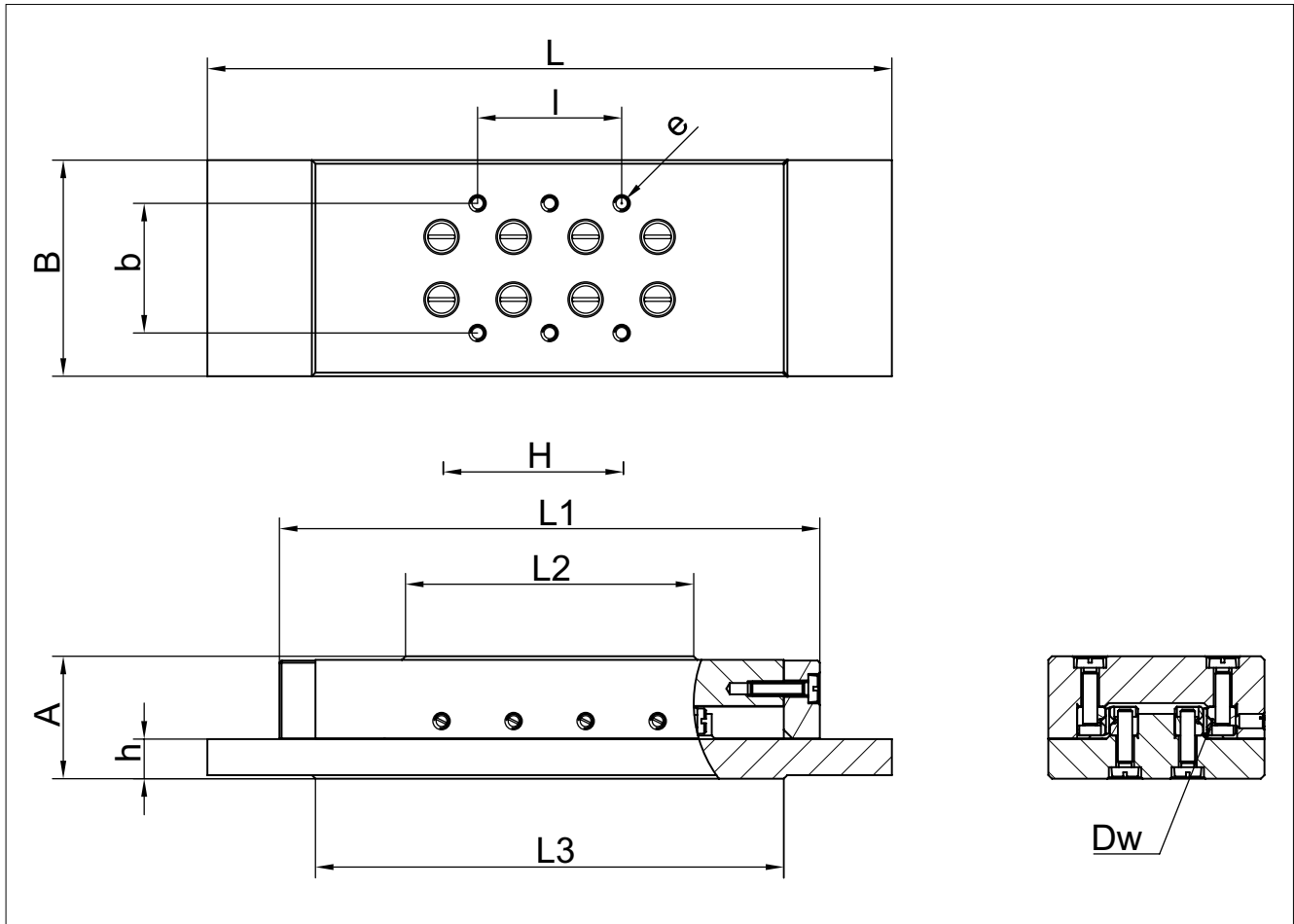


NE 1, 2, 3 - AL

Type NE AL slides are designed as closed model, which means that they can be sealed on all sides with small spacing between upper and lower sections. Prevent the ingress of dirt.

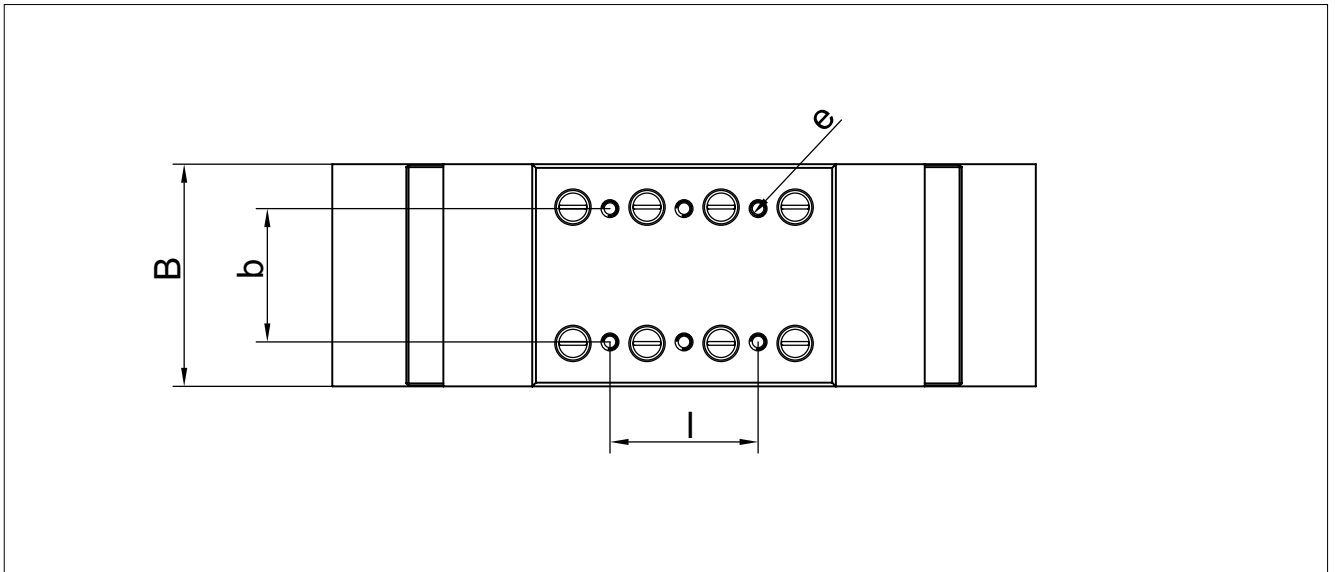
All sizes are equipped with linear bearing type R bearings. There are standardized attaching thread holes in the upper and lower section. Table parts in aluminium. Linear bearings in corrosion resistant steel (only NE 1 and NE 2). Tables can be integrated in any position.

2.2 Dimensions



2.3 Dimension Tables

Type	Dimensions (mm)							
	A	B	H	Dw	L	L1	L2	L3
NE 1 - 45 - AL	17	30	10	1.5	55	45	20	45
NE 1 - 60 - AL			15		75	60	30	55
NE 1 - 75 - AL			20		95	75	40	65
NE 2 - 60 - AL	21	40	15	2	75	60	30	59
NE 2 - 85 - AL			25		110	85	45	74
NE 2 - 115 - AL			40		155	115	60	89
NE 3 - 100 - AL	28	60	30	3	130	100	50	84
NE 3 - 140 - AL			45		185	140	75	109
NE 3 - 180 - AL			60		240	180	100	134

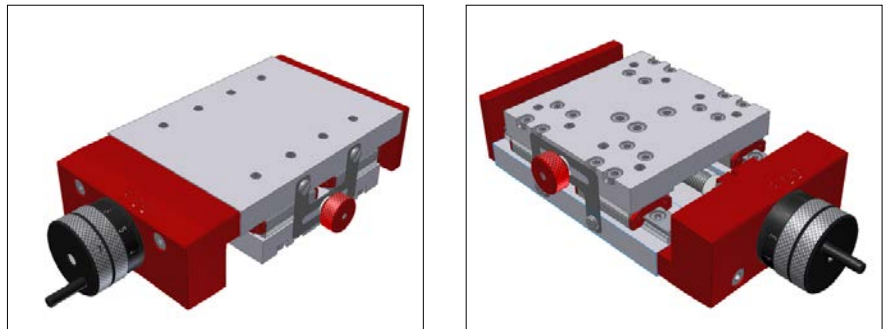


Type	Dimensions (mm)				Load capacity / Torque / Weight			
	e	l	b	h	C (N)	Ml (Nm)	Mq (Nm)	Weight (g)
NE 1 - 45 - AL	M2x5	1x17	18	5.5	250	1.2	1.6	70
NE 1 - 60 - AL		1x10			350	1.86	2.3	90
NE 1 - 75 - AL		2x10			500	2.7	3.3	120
NE 2 - 60 - AL	M3x6	1x25	25	6.5	425	2.7	3.8	150
NE 2 - 85 - AL		1x15			680	4.7	6.1	220
NE 2 - 115 - AL		2x15			850	6.1	7.6	300
NE 3 - 100 - AL	M4x8	1x40	39	9	910	7.8	12.7	460
NE 3 - 140 - AL		1x25			1300	11.7	18.2	700
NE 3 - 180 - AL		2x25			1820	16.9	25.4	930



## 3.0 Positioning Tables NFM

### 3.1 Positioning Tables NFM 7 / 9 / 12



NFM 7 / 9 / 12

Single axis manual driven stages with SCHNEEBERGER MINIRAIL – guideways. Manual positioning by a precision lead-screw, with anti- backlash nut and raduated drum, that can be set to zero position. Reading accuracy 0.01mm, strokes from 25mm to 150mm.

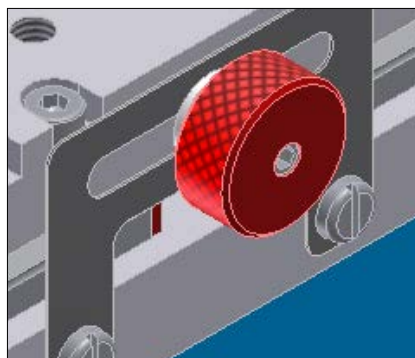
NFM is a modular system with options for table base and top plate lengths, to give strokes between 25 and 150mm. Table parts made in aluminium anodised, MINIRAIL linear guideways and lead screw in corrosion resistant steel. Stage can be integrated in any plane.

Special sizes and/or special attaching holes available on request. Optional clamping device on the side or directly on the lead screw (L dimension increased by 7mm). The clamping device can be mounted on either side of the stage (Size 7 without hand crank).

### 3.2 Options

- KR clamping right
- KL clamping left
- KS clamping on lead screw

Assembly to X-Y 2-axis stage without intermediate plate or to X-Y-Z 3-axis table with bracket are possible on request



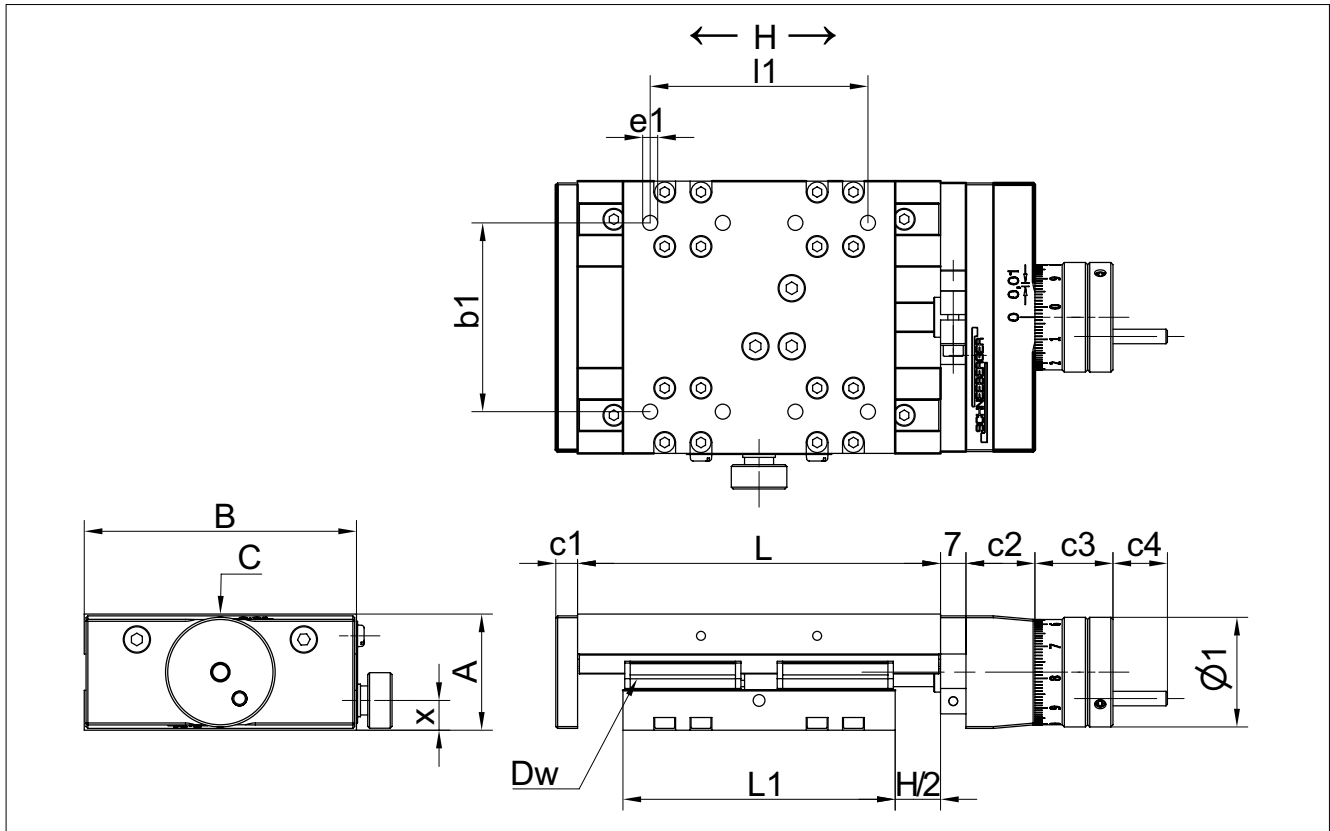
clamping left/right



clamping on lead screw

### 3.0 Positioning Tables NFM Technical data

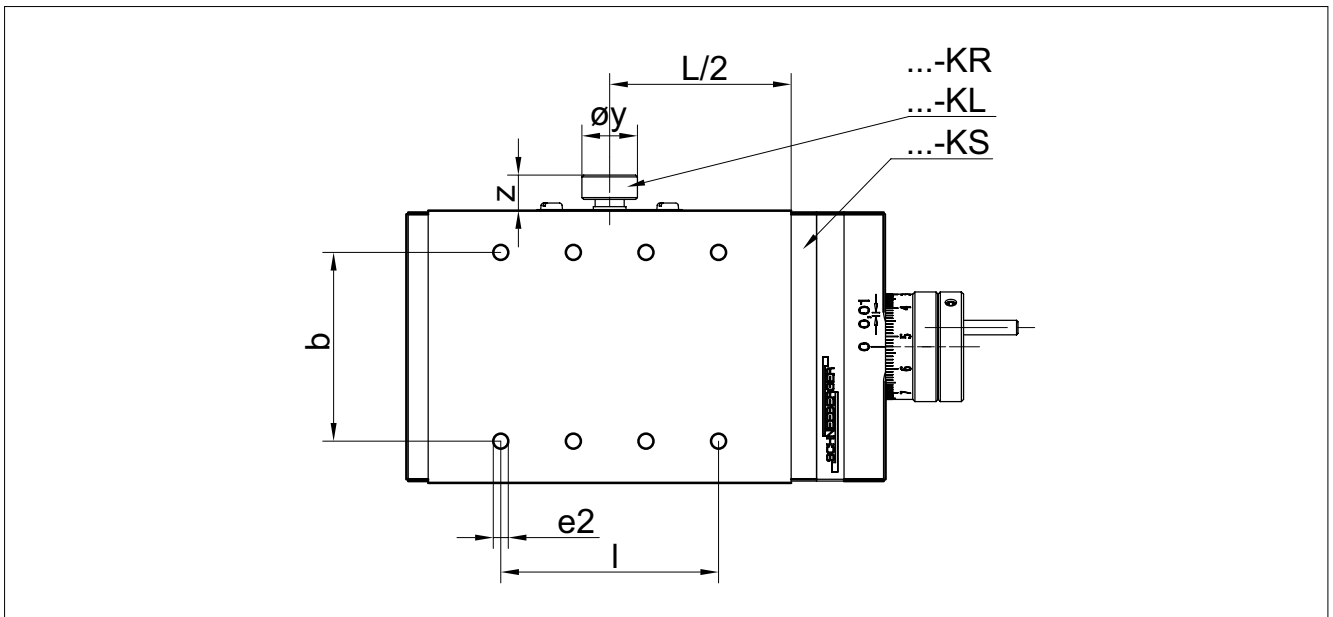
#### 3.3 Dimensions



#### 3.4 Dimension Tables

Type	Dimensions (mm)															
	A	B	H	D <sub>w</sub>	L	L <sub>1</sub>	I	I <sub>1</sub>	e <sub>1</sub>	e <sub>2</sub>	b	b <sub>1</sub>	c <sub>1</sub>	c <sub>2</sub>	c <sub>3</sub>	c <sub>4</sub>
NFM 7- 75/50	25	50	25	MNN 7	75	50	3x15	2x15	M4/8	M4x8	30	30	5	14	19.5	-
NFM 7-100/50			100		50	5x15	2x15									
NFM 7-125/50			125		50	3x30	2x15									
NFM 7-100/75			100		75	5x15	4x15									
NFM 7-125/75			125		75	3x30	4x15									
NFM 7-150/75			150		75	4x30	4x15									
NFM 9-100/75	32	75	25	MNN 9	100	75	3x20	3x20	M5x11	M5x11	52	52	6	19	21.5	15
NFM 9-125/75			125		75	4x20	3x20									
NFM 9-150/75			150		75	5x20	3x20									
NFM 9-175/75			175		75	7x20	3x20									
NFM 9-200/75			200		75	8x20	3x20									
NFM 9-125/100			125		100	4x20	4x20									
NFM 9-150/100			150		100	5x20	4x20									
NFM 9-175/100			175		100	7x20	4x20									
NFM 9-200/100			200		100	8x20	4x20									
NFM 12-150/100	36	100	50	MNN 12	150	100	4x25	3x25	M5x11	M5x11	75	75	7	19	21.5	15
NFM 12-200/100			200		100	6x25	3x25									
NFM 12-250/100			250		100	4x50	3x25									

### 3.0 Positioning Tables NFM Technical data



Type	Dimensions (mm)				Load capacity/Torque/Weight/Diameter + P				
	ø1	øy	x	z	C (N)	MI (Nm)	Mq (Nm)	Weight (~kg)	ø + P (mm)
NFM 7- 75/50	ø24	ø10.3	6.1	7.5	2960	37	47	0.4	M5x0.5
NFM 7-100/50								0.5	
NFM 7-125/50								0.6	
NFM 7-100/75								0.7	
NFM 7-125/75								0.8	
NFM 7-150/75								0.9	
NFM 9-100/75	ø30	ø15.3	8.2	9.8	5408	113	146	0.8	M8x1
NFM 9-125/75								0.9	
NFM 9-150/75								1	
NFM 9-175/75								1.1	
NFM 9-200/75								1.2	
NFM 9-125/100								1	
NFM 9-150/100						1.1			
NFM 9-175/100						1.2			
NFM 9-200/100						1.3			
NFM 12-150/100	ø34	ø15.3	8.7	9.8	8032	245	285	1.7	M8x1
NFM 12-200/100								1.9	
NFM 12-250/100								2.1	

## SCHNEEBERGER COMPANIES

### SWITZERLAND

SCHNEEBERGER AG  
Lineartechnik  
St. Urbanstrasse 12  
4914 Roggwil/BE

+41 62 918 41 11  
+41 62 918 41 00

info-ch@schneeberger.com

### GERMANY

SCHNEEBERGER GmbH  
Gräfenau  
75339 Höfen/Enz

+49 7081 782 0  
+49 7081 782 124

info-d@schneeberger.com

### ITALY

SCHNEEBERGER S.r.l.  
Via Soldani 10  
21021 Angera (VA)

+39 0331 93 20 10  
+39 0331 93 16 55

info-i@schneeberger.com

### USA

SCHNEEBERGER Inc.  
44 Sixth Road,  
Woburn, MA 01801-1759

+1 781 271 0140  
+1 781 932 4127

info-usa@schneeberger.com

### INDIA

SCHNEEBERGER India Pvt. Ltd.  
406, Satra Plaza,  
Palm Beach Road, Sector 19D  
Vashi,  
400 703 New Mumbai

+91 73 0454 0119

info-in@schneeberger.com

### JAPAN

Nippon SCHNEEBERGER K.K.  
Crane Toranomon Bldg 7F  
3-20-5 Toranomon, Minato-ku  
Tokyo 105-0001

日本シュネーベルガー株式会社  
〒105-0001  
東京都港区虎ノ門3-20-5  
クレイン虎ノ門ビル7階

+81 3 6435 7474  
+81 3 6435 7475

info-j@schneeberger.com

### CHINA

SCHNEEBERGER  
(Shanghai) Co., Ltd.  
Rm 606, Shang Gao International  
Building  
No. 137 XianXia Road  
200051 Shanghai

施耐博格 (上海) 技术有限公司  
上海市仙霞路137号盛高大厦606室, 上海 200051

+86 21 6209 0027  
+86 21 6209 0102

info-cn@schneeberger.com

### KOREA

SCHNEEBERGER Korea Ltd.  
Garden5 Tool  
10, Chungmin-ro,  
Songpa-gu, Seoul,  
Korea 05840

슈니베르코리아 유한회사  
05840 서울시 송파구 충민로 10  
가든파이크 툴관 10층

+82 2 554 2971  
+82 2 554 3971

info-kr@schneeberger.com

### SINGAPORE

SCHNEEBERGER Linear  
Technology Pte. Ltd.  
38 Ang Mo Kio Industrial Park 2  
#01-04, Singapur 569511

+65 6841 2385  
+65 6841 3408

info-sg@schneeberger.com

## SCHNEEBERGER MINERAL CASTING

## A.MANNESMANN A MEMBER OF SCHNEEBERGER LINEAR TECHNOLOGY

### CZECH REPUBLIC

SCHNEEBERGER  
Mineralgusstechnik s.r.o  
Prumyslový park 32/20  
350 02 Cheb – Dolní Dvory

+420 354 400 941  
+420 354 400 940

info-mineralguss@schneeberger.com

### CHINA

SCHNEEBERGER Changzhou  
Precision Systems Co. Ltd.  
137 Hanjiang Road  
Changzhou New district  
213000 Changzhou, Jiangsu

施耐博格 (常州) 有限公司  
江路137, 常州新区, 常州213022

+86 519 8988 3938  
+86 519 8988 5115

info-mineralcasting@schneeberger.com

### GERMANY

A.MANNESMANN  
MASCHINENFABRIK GmbH  
Bliedinghauser Str. 27  
42859 Remscheid

+49 2191 989-0  
+49 2191 989-201

mail@amannesmann.de

## SCHNEEBERGER SALES DEPARTMENTS

### AUSTRIA AND SOUTH EAST EUROPE

+43 676 935 1035

info-a@schneeberger.com

### BENELUX

+31 6 5326 3929

info-nl@schneeberger.com

### DENMARK, SWEDEN

+31 6 5326 3929

info-nl@schneeberger.com

### FRANCE

+33 6 33 12 14 26 (West)  
+33 7 72 55 06 74 (Ost)

info-f@schneeberger.com

### GREAT BRITAIN

+44 77 8814 5645

info-uk@schneeberger.com

### ISRAEL

+972 5 0551 7920

info-il@schneeberger.com

### POLAND, SLOVAKIA, CZECH REPUBLIC

+420 6 0278 4077

info-cz@schneeberger.com

### RUSSIA, BELARUS, UKRAINE

+7 985 960 85 53  
+38 050 407 6789  
+37 529 860 0410

info-ru@schneeberger.com

### SPAIN, PORTUGAL, ANDORRA

+34 69 559 05 99

info-es@schneeberger.com

### TURKEY

+90 545 320 83 55

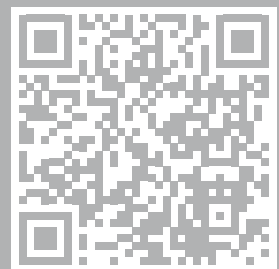
info-tr@schneeberger.com

## PROSPECTUSES

- COMPANY BROCHURE
- CUSTOMIZED BEARINGS
- GEAR RACKS
- LINEAR BEARINGS AND RECIRCULATING UNITS
- MINERAL CASTING SCHNEEBERGER
- MINISLIDE MSQSCALE

- MINI-X MINIRAIL / MINISCALE PLUS / MINISLIDE
- MONORAIL AND AMS PROFILED LINEAR GUIDEWAYS WITH INTEGRATED MEASURING SYSTEM
- MONORAIL AND AMS APPLICATION CATALOG
- POSITIONING SYSTEMS
- SLIDES

www.schneeberger.com



**SCHNEEBERGER**  
LINEAR TECHNOLOGY

**SCHNEEBERGER**  
MINERALGUSSTECHNIK



A.MANNESMANN  
A member of  
SCHNEEBERGER linear technology